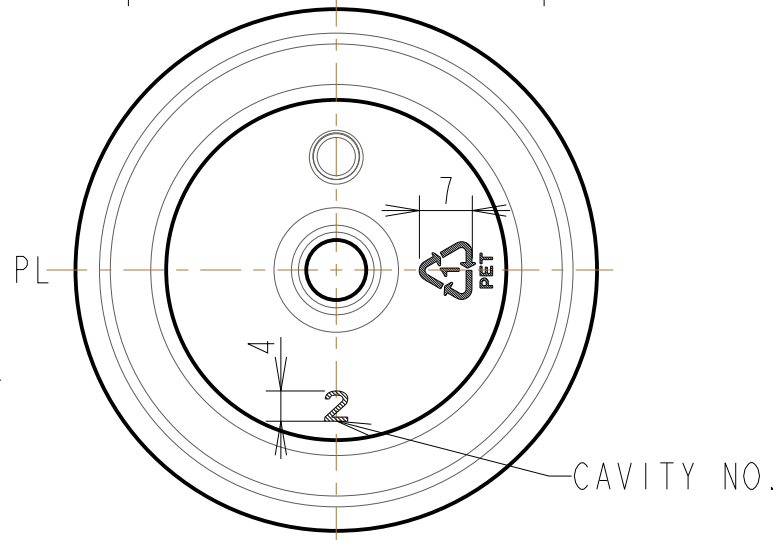


SECTION A-A  
 SCALE 5  
 1 Thread of 1.5 Turns  
 Pitch 3.16  
 Cutter  $\varnothing 9.52$

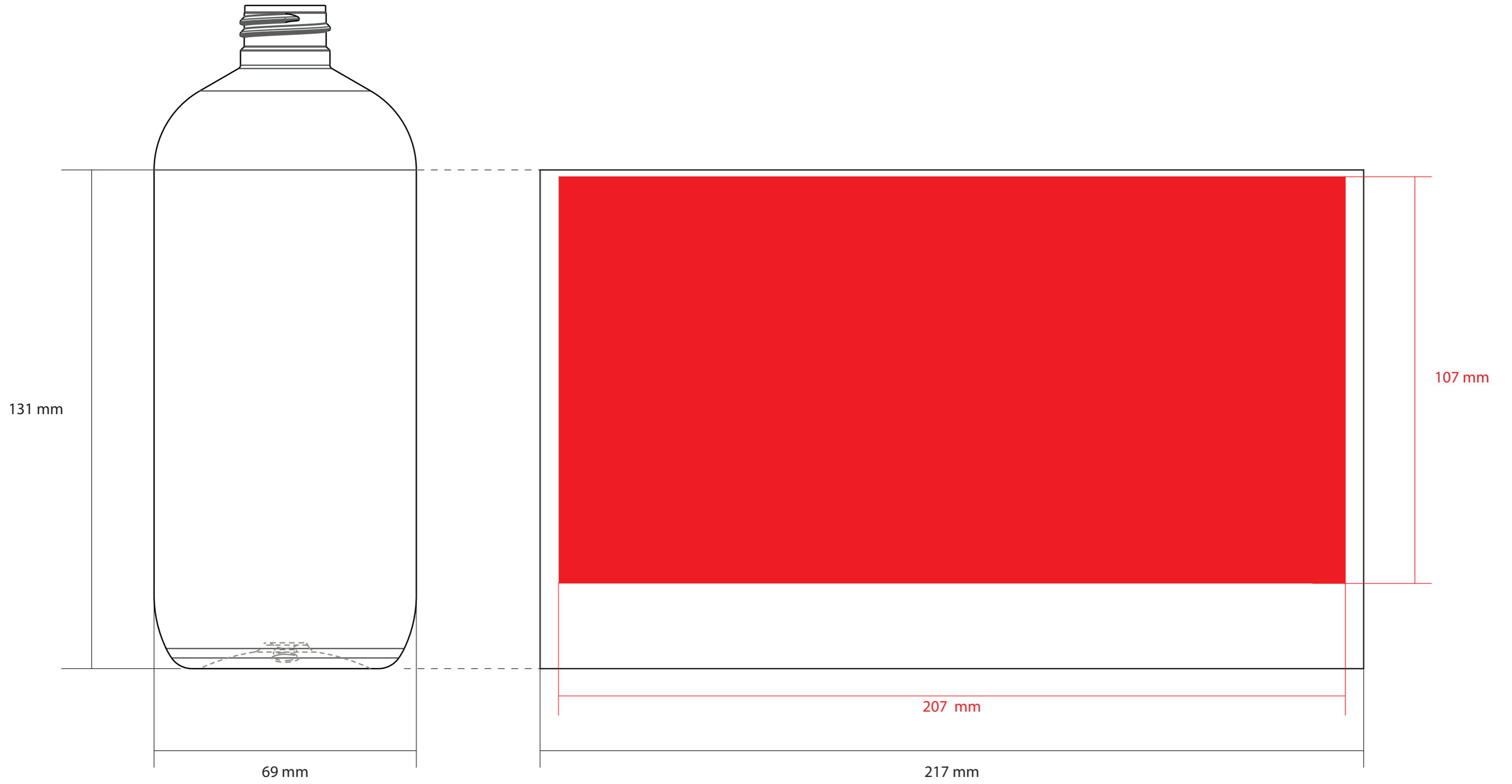
- NOTES
- OVERFLOW CAPACITY 528 ± 6 mL
  - FILL POINT CAPACITY 500 mL
  - WEIGHT 35 ± 1 g
  - The dimension without tolerance to be based on "ASB TOLERANCES"
  - \* marked dimensions for manufacturing only  
 Actual bottle may not achieve this value



UI	SR (srD)	U2	DD (ddR)	D	0
N	1.92 (14)	S	355.3 : 17.5	P	105.5

REV.	DATE	REVISIONS				BY
A3		CUSTOMER	VEXEL			
MODEL	ASB-12M V2 SPL	O'TY	4	DWG. NO	42-2199-00D	
NAME	500 mL BOTTLE			SCALE	1/1(5/1)	
REFERENCE NOTE	DR'N	CK'D	APPR.	MATERIAL	PET	
	Auto	KNT	SJR	DATE	MAY.23.'20	





PRODOTTO: *FLACONE CORTEZ 500 ml*

TECNICA STAMPA: *SERIGRAFIA*

